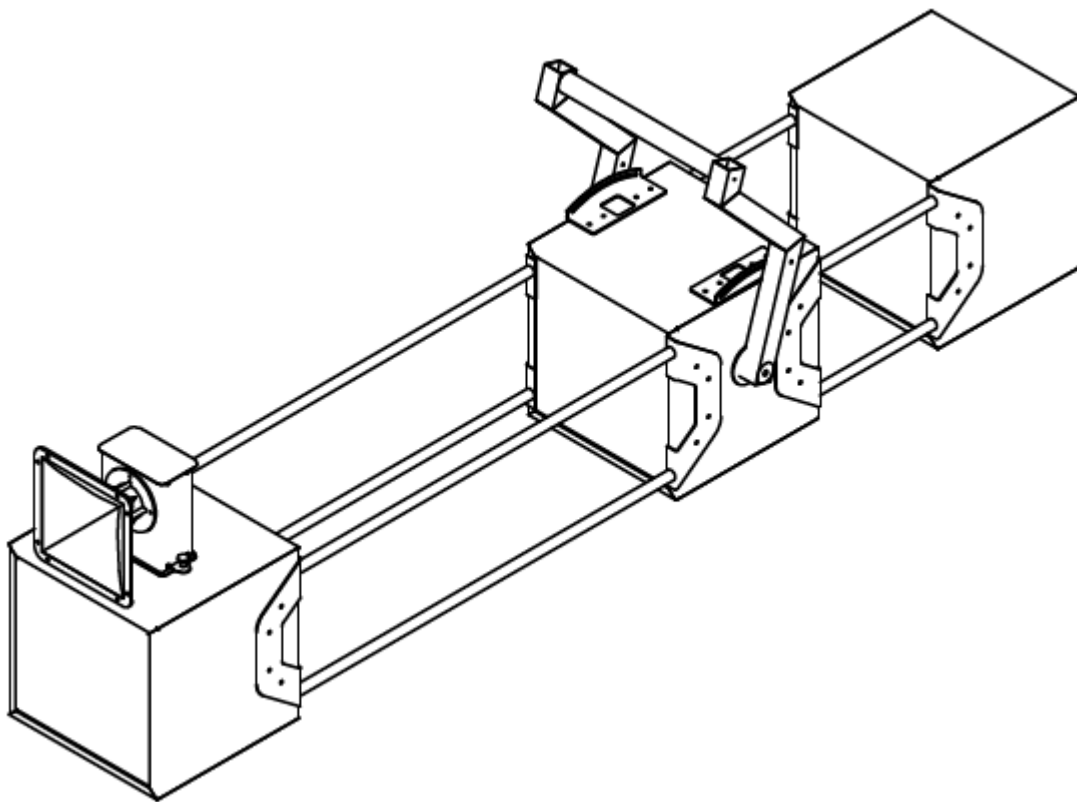


AUDEIA PJ302/x

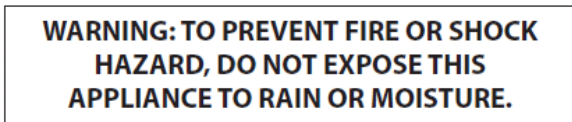
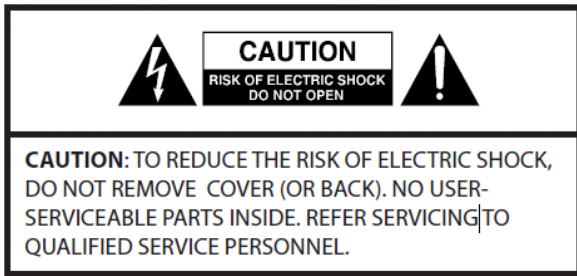
AASER PRO System AS302x Speaker unit



USER MANUAL



SIMBOLS



The lightning flash with arrowhead symbol (as the one in the left) is intended to alert the user to the presence of dangerous voltage within the product enclosure that may constitute a risk of electric shock to person.



The exclamation point within an equilateral triangle (as the one in the left), is intended to alert the user to the presence of important instruction concerning the use of the appliance.

SAFETY INSTRUCTIONS

- Read these instructions
- Keep these instructions
- Heed all warnings
- Trail all instructions
- Do not use this apparatus near water
- Clear only with dry cloth
- Install in accordance with the manufacturers instructions
- Do not install near any heat sources such as radiators, heat registers, stoves, or other apparatus (including amplifiers) that produce heat
- No naked flame sources, such as lighted candles, should be placed on the apparatus.
- Do not block any ventilation openings.
- Do not defeat the safety purpose of the polarized or grounding type plug
- Ensures the source voltage matches the voltage of the power supply before turning ON the apparatus.
- If the provided plug does not fit into your outlet, consult an electrician for replacement of the obsolete outlet.
- Protect the power cord from being walked on or pinched particularly at the plug, convenience receptacles, and the point where they exit from the apparatus.
- Unplug this apparatus during lightning storms or when unused for long periods of time.
- There are maybe some areas with high voltages inside, to reduce the risk of electric shock, do not remove any cover

if the power supply is connected. The cover should be removed by qualified personnel only. No user serviceable parts inside.

- This apparatus shall not be exposed to dripping or splashing and that no objects filled with liquids, such as vases, shall be placed on this apparatus.
- To reduce the risk of fire or electric shock, do not expose this apparatus to rain or moisture.
- Only use attachments/accessories specified by the manufacturer.
- Refer all servicing to qualified personnel. To reduce the risk of electric shock, do not perform any servicing other than that contained in the operating instructions unless you are qualified to do so.
- Servicing is required when the apparatus has been damaged in any way, such as the power supply cord or plug is damaged, liquid has been spilled or objects have fallen into the apparatus, the apparatus has been exposed to rain or moisture, does not operate normally, or has been dropped.
- Make sure to connect the protective grounding to prevent any electric shock before turning ON the apparatus.
- The external wiring connected to the output hazardous live terminals requires installation by an instructed person, or the use of ready-made leads or cords.
- Never cut off the internal or external protective grounding wire or disconnect the wiring of protective grounding terminal.

DISPOSAL OF ELECTRICAL AND ELECTRONIC EQUIPMENT

- All the electrical and electronic equipment should be disposed separately from the municipal waste via collection facilities designed by the government or local authorities.
- By disposing of electrical and electronic equipment correctly you help to save valuable resources and prevent any potential negative effects on human health and the environment.
- Improper disposal of waste electrical and electronic equipment can have serious effect on the environment and human health because of the presence of hazardous substances in this type of equipment.



- The waste electrical and electronic equipment (WEEE) symbol, which show a bin that has been crossed out, indicates that electrical and electronic equipment must be collected and disposed of separately from household waste.
- Return and collection systems are available to end users. For more detailed information about the disposal of old electrical and electronics equipment, please contact your city office of waste disposal service or the shop where you purchased the equipment.

INDEX

<i>SIMBOLS</i>	2
<i>SAFETY INSTRUCTIONS</i>	2
<i>DISPOSAL OF ELECTRICAL AND ELECTRONIC</i>	
<i>EQUIPMENT</i>	2
<i>INCLUDED ITEMS</i>	4
<i>ABOUT THIS MANUAL</i>	4
<i>LEGAL DISCLAIMER</i>	4
<i>PRECAUTION FOR INSTALLATION AND USE</i>	4
<i>WARRANTY</i>	4
<i>OVERVIEW</i>	5
<i>ASSEMBLING</i>	5
<i>MOUNTING</i>	6
<i>SECURITY STEEL CABLES</i>	7
<i>POSITION</i>	7
<i>WIRING</i>	8
<i>TECHNICAL SPECIFICS</i>	9

Thank you for purchasing the AUDEIA PJ302 AASER PRO speaker unit. The AASER system is the result of a long research in materials, components and laboratory tests. For the best use of the PJ302 speakers please read this user's manual carefully, and keep it in safe place for future reference.

INCLUDED ITEMS

Following are listed included items, please contact the store where you purchased this unit if any of listed items are missing or have been damaged during transportation.

- The PJ302 unit Q.ty 1
- Owner's manual (this manual) Q.ty 1
- Mounting kit Q.ty.1

NOTE: the ceiling and wall mounting supports are optional and sold separately.

ABOUT THIS MANUAL

This manual is composed of five main section: "SAFETY PRECAUTION" in which there are safety information and instructions; "CONTENTS" with the table of contents; "INTRODUCTION" a brief description to introduce you in the use of apparatus; "INSTRUCTION" with technical information concerning installation and usage; "TECHINICAL DATA" with technical specifics.

Each section name is printed on the top side of the manual.

LEGAL DISCLAIMER

AUDEIA, RSS, AASER and the other names of apparatus or components are trademarks or registered trademarks of respective owner.

No part of this manual may be reproduced or copied without write permission of AUDEIA.

Technical specification and appearance are subject to change without notice.

PRECAUTION FOR INSTALLATION AND USE

- Read accurately this manual and apply all the prescriptions for a sure usage.
- At every installation, or every 6 month for fix installation, make a check to verify that there are not damaged or oxidised parts in the speaker and in all the supports. If you see that there are damaged parts dismount the speaker and call the technical assistance department.
- Be sure that the stand or other type of installation support where you install the system, is sufficiently

solid to ensure a solid holding also if there are accidentally shocks or wind and so on.



- In external installation, if there is too much wind, dismount the system or put it a low high.
- Do not expose to fast reduction of temperature because condensation could occur with possible damaging of the apparatus. If this happen, leave the unit for one or two hours before turning the unit on.

Oxidation and rust can weaken the metal parts, always check that there are no deteriorated or broken parts.



In critical applications, where there is too much wind or there is not a sufficiently strong support, put some warning labels and limit the accessing area near the speaker

WARRANTY

In case of return for any warranty service, please make sure that the product is well packed in its original shipping carton, and it can protect your unit from any other extra damage.

Please provide a copy of your sales receipt and give detail information about your return address and contact telephone number.

The warranty service is only available to the original consumer, who purchased this product directly from the retail dealer, and it can not be transferred.

The warranty does not apply to the damages to this product that occurred as the following conditions:

- Normal tear and wear.
- Any abuse or misuse of this product, or use not in accordance with this manual.
- The product has been altered or modified in any way.
- Damage which may have been caused either directly or indirectly by external and independent cause as other products malfunctions, shocks, and so on
- Abnormal service or repairing by not authorized technicians.
- In no event shall AUDEIA be liable for any incidental damages (if not specifically prescribed by the states laws).

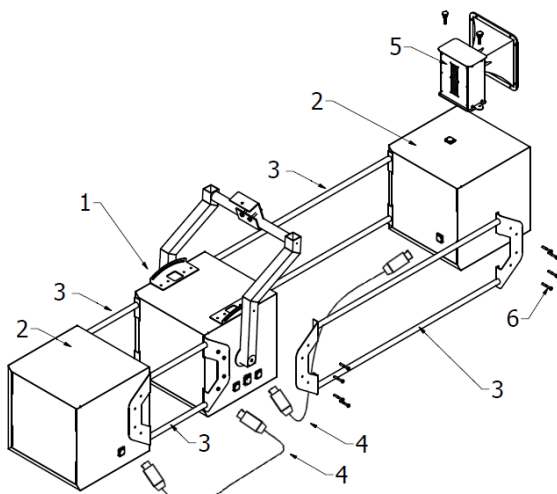
OVERVIEW

The PJ302 is the result of a long research in materials, components and laboratory tests. The strict guide line for the project was be "optimization".

Thanks to quality of the material and the accuracy of the acoustical design this system has high performances and natural sound in the fewest space.

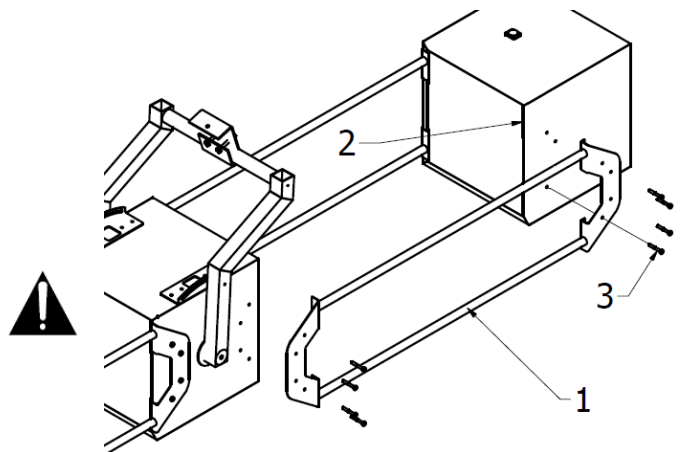
ASSEMBLING

The system is composed of more separate parts to simplify travelling and mounting. The separate parts are:



1. The main unit that includes one speaker modules (central cube) preassembled with the adjustable mounting system
2. The back and front cube
3. The 4 metal elements for the connection of the back and front cube to the main unit
4. And 2 audio cables to connect the back and the front cube to the main units
5. The horn element
6. Mounting accessories

To mount the front and back cube to the main unit:

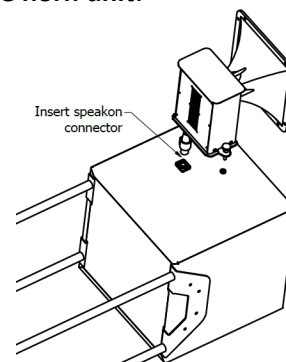


Place the metal bracket (1) between the main unit and the cube, matching the holes on the cabinets. The flange on the brackets must be inserted in the thirst indicated by the reference (2). Insert the M6 screw (8 pieces for every bracket) in the hole and screw them strong.

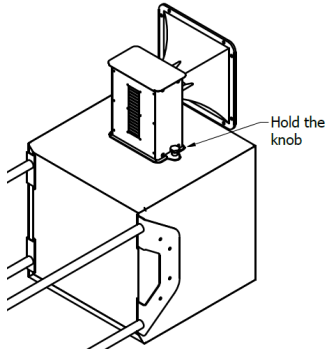
Do not exceed the tightening torque, excessive force can damage the inner nut and the cabinet.

Connect the audio cord (4) in the female speakon in the main unit and in the adding cube, the connector to use is the one in the side of the adding cube: the front cube in the female connector in the forward, the back tube in the female connector in the backward. Use the longer cable for the front cube that is the most far. The central female speakon (8 pole) is for the connection to the power unit (se next paragraphs)

To mount the horn unit:



connect the male speakon connector in the cord located in the bottom of the trumpet unit, in the female speakon connector located in the top of the third cube.



Position the horn unit to match the holes in the top of the third cube covering the speakon.



Pay attention to the cord, drive it to have a good position, if it is hard to locate the horn unit try again changing the cord position.

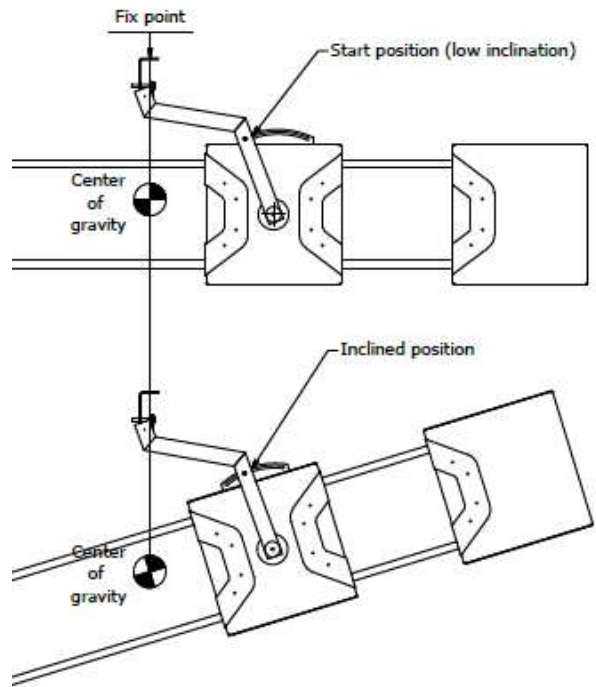
Insert the knob supplied with the system in the hole in the side of the horn unit base and screw them strong.



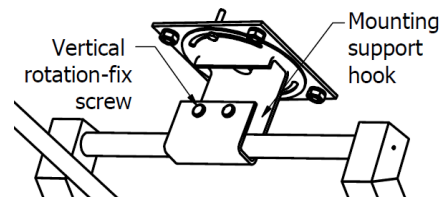
Do not exceed the tightening torque, excessive force can damage the inner nut and the cabinet.

MOUNTING

The PJ302 as a inclination regulation system, the top arm of the system, where the system is fixed on the stand, can rotate respect to the speaker axis.



How schematized in the previous image the final inclination is related to the point where you fix the rolling arm respect to the speaker axis. If you fix the rotation of the arm the system will go to a stable position and give not any strain on the support. The final inclination is not linearly related to the position of the arm respect to the speaker axis, the degrees of inclination are more than the arm rotation. We suggest to make some test lifting a bit the system before to lift it all. The system is provided with a mounting support hook that let you also to make a horizontal regulation.

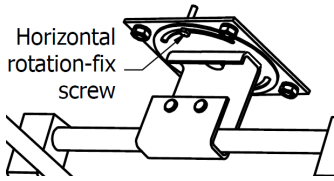


When do you lift the system and fix it by the mounting hole in the square plat, it go in a equilibrium position, at this point you can screw the “vertical rotation-fix screws” to fix the system.



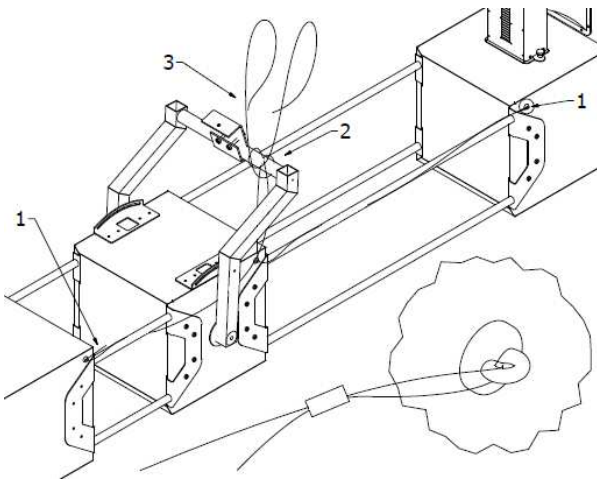
Do not fix the “rotation fix screws” before to mount the system on the stand, this could create strain in the support systems.

Then you can regulate the horizontal angulation and fix it with the “rotation-fix screw”.



SECURITY STEEL CABLES

Supplied with the system there are two steel cables and accessories. This cables are a more security to prevent person injury if there is some damage of system parte for deterioration or mechanical shock.



In the three speaker cubes there is a ring where to pass the steel cable. The cables start from the ring in the points (1) where you have to fix them with included accessories paying attention to make a strong assembling. The cables go around to the high tube of the two metal brackets and then go into the ring in the central cube. Then go around to the top support (2) and finally pass around the stand where the system is suspended, in this point you have to fix the cable creating a hole around the suspension support (3).

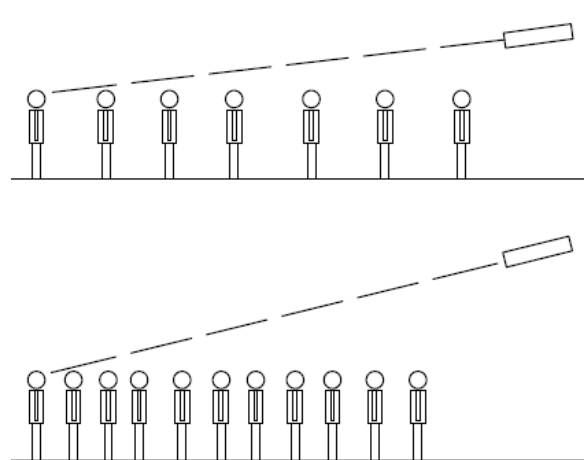
POSITION

The right position of the AR301 is related to the acoustical and dimensional characteristics of the listening site.

The possible variation of the positioning concerns the height from the ground, the pan and tilt (vertical and horizontal orientation) and the angular opening of the polar pattern.

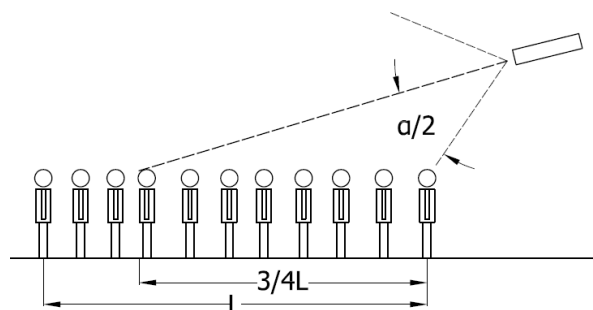
Following some simple guide line for a right position.

Height: if you can choice the height of the positioning, use as reference the more distant listener. The more distant listener have to be able on average to see the projector with a row of persons in the front in a typical situation:



If is not possible to regulate the height go to the following step.

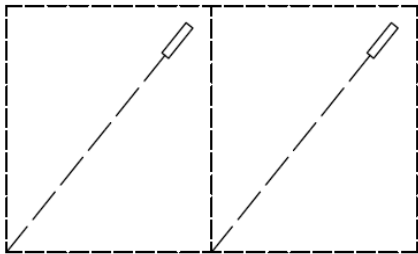
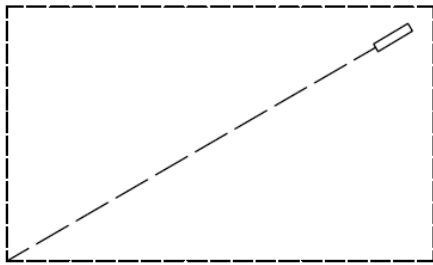
Tilt and angular opening: to obtain a similar response for all the listener in average you have to orientate the projector at 3/4 of the listener covered area, opening the angular pattern (α) to reach all the listener.



The opening of polar pattern has to be also sufficient to cover horizontally the entire area where there are listeners. The opening of polar

pattern is configurable by the knob in the central unit.

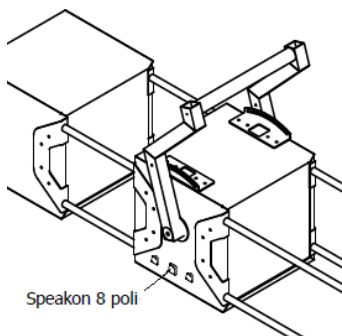
Horizontal rotation: the projector axis direction has to be in the center of the interested area. If you have two projectors, associate to each projector half of interest area and each one has to be oriented to the center of assigned area.



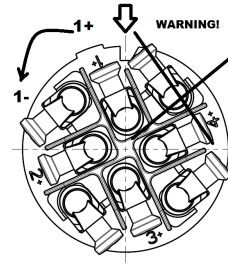
In stereo application every area has to be covered by two projectors (left and right).

WIRING

In the side of the central cube of the PJ302 there are three female connectors, the central one is a 8 pole female speakon connector and is for the connection of the speaker to the power unit.



The cord for the connection to the power unit is a male-male type.



When make the connection cord using the 8 poles male speakon connector pay attention to use the right poles, the numeration in counterclockwise and start with the positive. A reference shape indicates the first connection (the positive of the first pair). The negative is the left side as in the image.

TECHNICAL SPECIFICS

Power:	1600W AES – 3200W MAX
Impedance:	8 Ohm
Frequency response:	40-20k Hz
Sound pressure level:	138 dB SPL/1m at nominal power with AASER response*
Sensitivity	106,5 dB SPL 1w/1m
Speakers:	3x12" + Driver1,4"
Dimensions (WxDxH):	365x2260x605mm (14,4"x89,0"x23,8")
Angular pattern opening:	Adjustable from 120° to 180° for all range (by central unit)
Weight:	46 kg (101lb)
Connection:	8 pole speakon connectors

*the SPL response is only a reference, not comparable with standard systems, the attenuation for the distance is not the normal one. For details ask for AASER response information.

