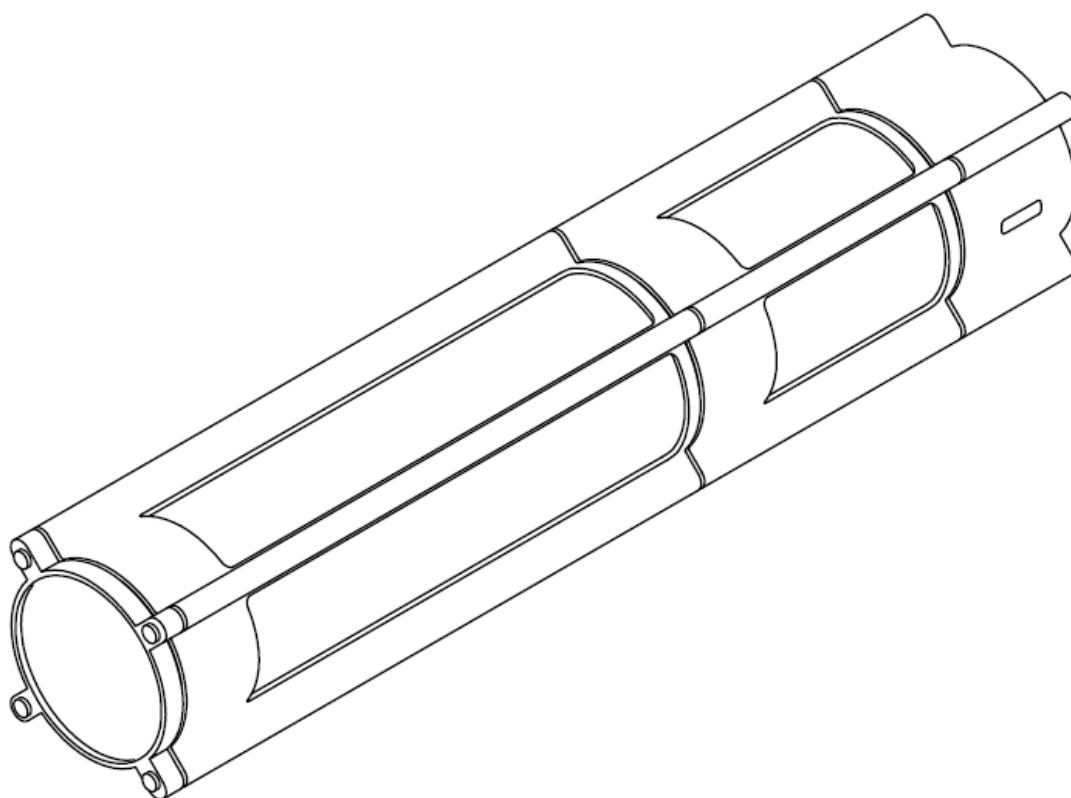


# AUDEIA AS0/x, AS1/x, AS2/x .../C

## *AASER System* Speaker unit



# USER MANUAL



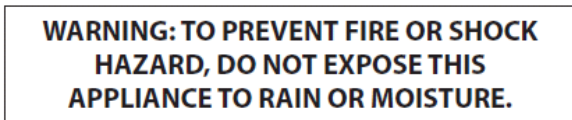
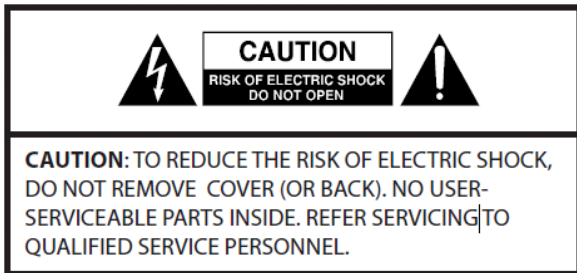


---

**INDEX**

SIMBOLS .....	4
SAFETY INSTRUCTIONS.....	4
DISPOSAL OF ELECTRICAL AND ELECTRONIC EQUIPMENT.....	4
INCLUDED ITEMS.....	5
ABOUT THIS MANUAL .....	5
LEGAL DISCLAIMER.....	5
PRECAUTION FOR INSTALLATION AND USE .....	5
WARRANTY.....	5
OVERVIEW .....	5
MOUNTING .....	6
POSITION .....	6
WIRING.....	7
TECHNICAL SPECIFICS.....	9

**SIMBOLS**



The lightning flash with arrowhead symbol (as the one in the left) is intended to alert the user to the presence of dangerous voltage within the product enclosure that may constitute a risk of electric shock to person.



The exclamation point within an equilateral triangle (as the one in the left), is intended to alert the user to the presence of important instruction concerning the use of the appliance.

**SAFETY INSTRUCTIONS**

- Read these instructions
- Keep these instructions
- Heed all warnings
- Trail all instructions
- Do not use this apparatus near water
- Clear only with dry cloth
- Install in accordance with the manufacturer instructions
- Do not install near any heat sources such as radiators, heat registers, stoves, or other apparatus (including amplifiers) that produce heat
- No naked flame sources, such as lighted candles, should be placed on the apparatus.
- Do not block any ventilation openings.
- Do not defeat the safety purpose of the polarized or grounding type plug
- Ensures the source voltage matches the voltage of the power supply before turning ON the apparatus.
- If the provided plug does not fit into your outlet, consult an electrician for replacement of the obsolete outlet.
- Protect the power cord from being walked on or pinched particularly at the plug, convenience receptacles, and the point where they exit from the apparatus.
- Unplug this apparatus during lightning storms or when unused for long periods of time.
- There are maybe some areas with high voltages inside, to reduce the risk of electric shock, do not remove any cover

if the power supply is connected. The cover should be removed by qualified personnel only. No user serviceable parts inside.

- This apparatus shall not be exposed to dripping or splashing and that no objects filled with liquids, such as vases, shall be placed on this apparatus.
- To reduce the risk of fire or electric shock, do not expose this apparatus to rain or moisture.
- Only use attachments/accessories specified by the manufacturer.
- Refer all servicing to qualified personnel. To reduce the risk of electric shock, do not perform any servicing other than that contained in the operating instructions unless you are qualified to do so.
- Servicing is required when the apparatus has been damaged in any way, such as the power supply cord or plug is damaged, liquid has been spilled or objects have fallen into the apparatus, the apparatus has been exposed to rain or moisture, does not operate normally, or has been dropped.
- Make sure to connect the protective grounding to prevent any electric shock before turning ON the apparatus.
- The external wiring connected to the output hazardous live terminals requires installation by an instructed person, or the use of ready-made leads or cords.
- Never cut off the internal or external protective grounding wire or disconnect the wiring of protective grounding terminal.

**DISPOSAL OF ELECTRICAL AND ELECTRONIC EQUIPMENT**

- All the electrical and electronic equipment should be disposed separately from the municipal waste via collection facilities designed by the government or local authorities.
- By disposing of electrical and electronic equipment correctly you help to save valuable resources and prevent any potential negative effects on human health and the environment.
- Improper disposal of waste electrical and electronic equipment can have serious effect on the environment and human health because of the presence of hazardous substances in this type of equipment.



- The waste electrical and electronic equipment (WEEE) symbol, which show a bin that has been crossed out, indicates that electrical and electronic equipment must be collected and disposed of separately from household waste.
- Return and collection systems are available to end users. For more detailed information about the disposal of old electrical and electronics equipment, please contact your city office of waste disposal service or the shop where you purchased the equipment.

**Thank you** for purchasing the AUDEIA AS series AASER speaker unit. The AASER system is the result of a long research in materials, components and laboratory tests. For the best use of the AS series speakers please read this user's manual carefully, and keep it in safe place for future reference.

### **INCLUDED ITEMS**

Following are listed included items, please contact the store where you purchased this unit if any of listed items are missing or have been damaged during transportation.

- The ASx unit Q.ty 1
- Warranty card Q.ty 1
- Owner's manual (this manual) Q.ty 1
- Mounting kit Q.ty.1

NOTE: the ceiling and wall mounting supports are optional and sold separately. All the AASER speaker require the use of AUDEIA DSP units sold separately.

### **ABOUT THIS MANUAL**

This manual is composed of five main section: "SAFETY PRECAUTION" in which there are safety information and instructions; "CONTENTS" with the table of contents; "INTRODUCTION" a brief description to introduce you in the use of apparatus; "INSTRUCTION" with technical information concerning installation and usage; "TECHINICAL DATA" with technical specifics.

Each section name is printed on the top side of the manual.

### **LEGAL DISCLAIMER**

AUDEIA, RSS, AASER and the other names of apparatus or components are trademarks or registered trademarks of respective owner.

No part of this manual may be reproduced or copied without write permission of AUDEIA.

Technical specification and appearance are subject to change without notice.

### **PRECAUTION FOR INSTALLATION AND USE**

- The operating temperature should be between 4°C and 45°C
- To prevent degrade of sound quality and malfunction do not install in places with significant vibration, exposed to direct sunlight, in extremely

### **OVERVIEW**

The AS series speakers are the result of a long research in materials, components and laboratory tests. The strict guide line for the project was be "optimization".

hot places, in places with high humidity or bad ventilation, places exposed to rain or other water.

- Do not place anything on the unit
- Do not expose to fast reduction of temperature because condensation could occur with possible damaging of the apparatus. If this happen, leave the unit for one or two hours before turning the unit on.
- Avoid installing this unit on top of any heat-generating devices as power amplifiers also to avoid condensation.
- To clean the unit, wipe it lightly with a soft dry cloth. Do not wipe with cleaning cloths, paint thinner, benzene, athyl alcohol or other agents. Tis could damage the surface.

### **WARRANTY**

To obtain Warranty Service, the buyer should first fill out and return the enclosed Warranty Registration Card compiled in every parts within 10 days of the Purchase Date.

In case of return for any warranty service, please make sure that the product is well packed in its original shipping carton, and it can protect your unit from any other extra damage.

Please provide a copy of your sales receipt and give detail information about your return address and contact telephone number.

The warranty service is only available to the original consumer, who purchased this product directly from the retail dealer, and it can not be transferred.

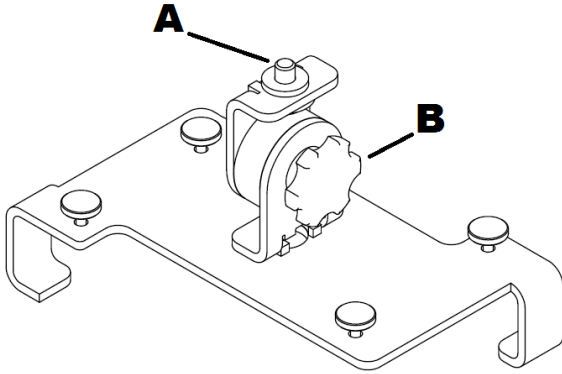
The warranty does not apply to the damages to this product that occurred as the following conditions:

- Normal tear and wear.
- Any abuse or misuse of this product, or use not in accordance with this manual.
- The product has been altered or modified in any way.
- Damage which may have been caused either directly or indirectly by external and independent cause as other products malfunctions, shocks, and so on
- Abnormal service or repairing by not authorized technicians.
- In no event shall AUDEIA be liable for any incidental damages (if not specifically prescribed by the states laws).

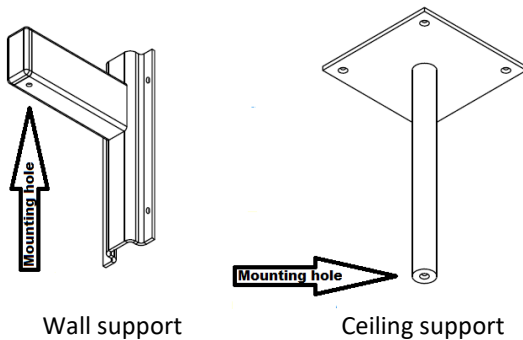
Thanks to quality of the material and the accuracy of the acoustical design this system has high performances and natural sound in the fewest space.

**MOUNTING**

With the system is supplied a mounting support that has two degree of liberty to regulate horizontal and vertical direction.



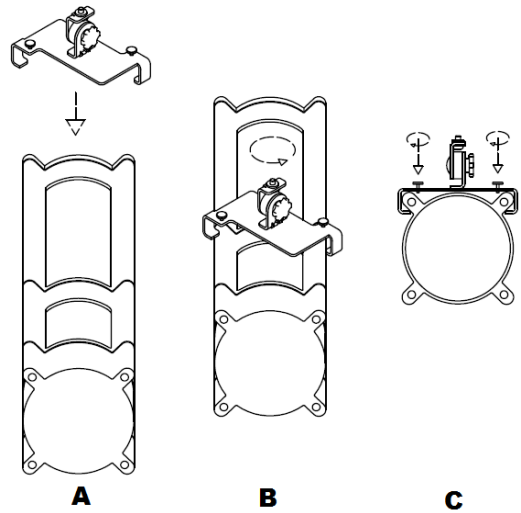
The part indicate with the **A** reference is a screw element that is used to mount the projector in wall or ceiling support\*.



The **B** element is a knob to regulate the vertical rotation (tilt).

\* For more information see the instruction supplied with the supports. The supports are sold separately, you can choose the right dimension according to the requirements.

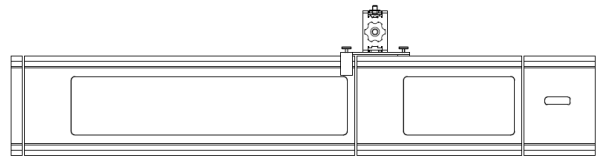
To mount the projector in the support there are 3 steps:



- A) Insert the projector into de support rotating the projector respect to the support to find the higher gap in the support.
- B) Rotate the projector to align it to the support, in this manner the C shape flange in the support fix the projector
- C) With the knobs in the top of the support fix the projector to avoid the rotation.

**!** Be sure that the projector is securely fixed in the support.

The right position of the projector respect to the support is this:



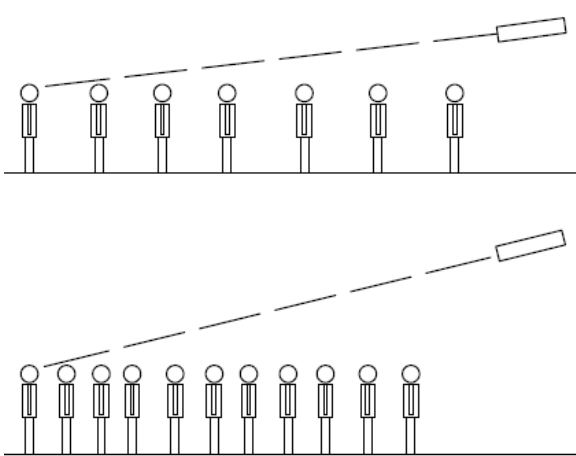
**POSITION**

The right position of the AR201 is related to the acoustical and dimensional characteristics of the listening site.

The possible variation of the positioning concerns the height from the ground, the pan and tilt (vertical and horizontal orientation) and the angular opening of the polar pattern.

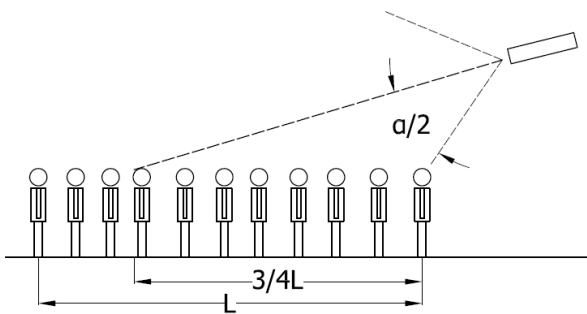
Following some simple guide line for a right position.

**Height:** if you can choice the height of the positioning, use as reference the more distant listener. The more distant listener have to be able on average to see the projector with a row of persons in the front in a typical situation:



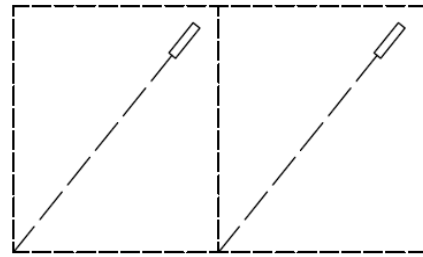
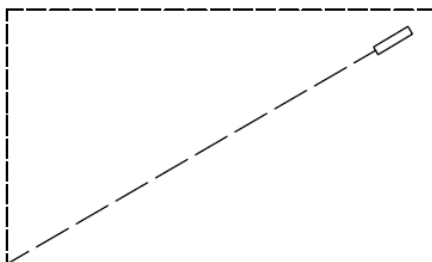
If it is not possible to regulate the height go to the following step.

**Tilt and angular opening:** to obtain a similar response for all the listener in average you have to orientate the projector at 3/4 of the listener covered area, opening the angular pattern ( $\alpha$ ) to reach all the listener.



The opening of polar pattern have to be also sufficient to cover horizontally the entire area where there are listeners. The opening of polar pattern is configurable by the interface in the central unit.

**Horizontal rotation:** the projector axis direction have to be in the center of the interested area. If you have two projectors, associate to each projector half of interest area and each one have to be oriented to the center of assigned area.

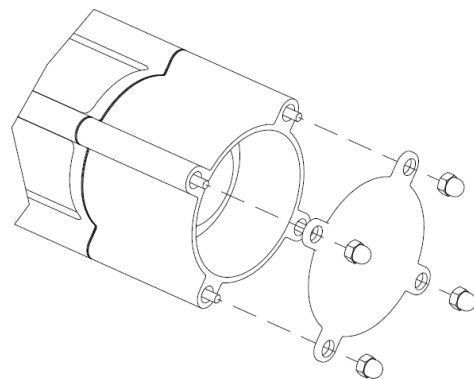


In stereo application every area have to be covered by two projectors (left and right).

**WIRING**

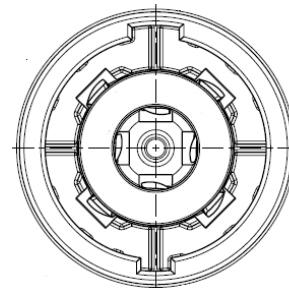
Two version of ASx PA line systems are available, one for fix installation with 6 wire for direct connection, one with 8 pole female speakon connector. The version with installed female speakon connector have the label “-C” in product code.

In the wire type, it is possible to connect the cable directly to the projector.

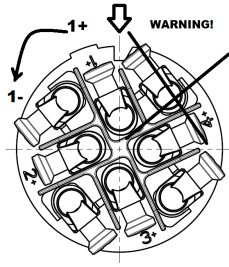


Disassembling the rear cover find a numeration label, the numbers have to coincide with the numeration in the speakon 8 pole male connector.

In the -C type in the rear side there is a female 8 pole speakon connector:



The speakon connector has 8 poles, but are used only the first 6 poles.



WARNING: pay attention to use the right poles, the numeration in counterclockwise and start with the positive. A reference shape indicate the first connection (the positive of the first pair). The negative is the left side as in the image.



**TECHNICAL SPECIFICS**

	AS001	AS101	AS201
Power:	30W RMS – 60W MAX	90W RMS – 180W MAX	300W RMS – 600W MAX
Impedance:	8 ohm	8 Ohm	8 Ohm
Frequency response:	200-20kHz	100-20kHz	100-18k Hz
Sound pressure level: NOTE: AASER response*	112 dB SPL/1m at nominal power	116 dB SPL/1m at nominal power	128 dB SPL/1m at nominal power
Sensitivity	92 dB SPL 1W/1m	92 dB SPL 1W/1m	103 dB SPL 1w/1m
Speakers:	3X2"	3x3.3"	3X5"
Dimension (WxDxH):	59x59x355mm (2,32"X2,32"X13,98")	88x88x540mm (3,46"X3,46"X21,26")	133X133X780mm (5,23"X5,23"X30,70")
Dimension (WxDxH) version "- C"**:	59x59x385mm (2,32"X2,32"X15,16")	88x88x570mm (3,46"X3,46"X24,44")	133X133X810mm (5,23"X5,23"X31,88")
Operating temperature range:	5-45°C/41-113°F		5-45°C/41-113°F
Weight:	1,22 kg(2,6lb)	3,4 kg(7,5lb)	8 kg (17,6lb)
Angular pattern opening:	Adjustable from 120° to 180° for all range		
Connection standard:	6x1mm free wire	6x1,5mm free wire	6x1,5mm free wire
Connection "-C" version:	8 pole speakon connector		

\*the SPL response is only a reference, not comparable with standard systems, the attenuation for the distance is not the normal one. For details ask for AASER response information.

\*\* "-C" version is the same as the standard version but there is a 8 pole female speakon connector installed on the back.

